

CROVEN CRYSTALS has provided high quality and reliability products to the frequency control industry for more than fifty years and is a world leader in the development and manufacture of the highest precision quartz resonators for demanding applications.

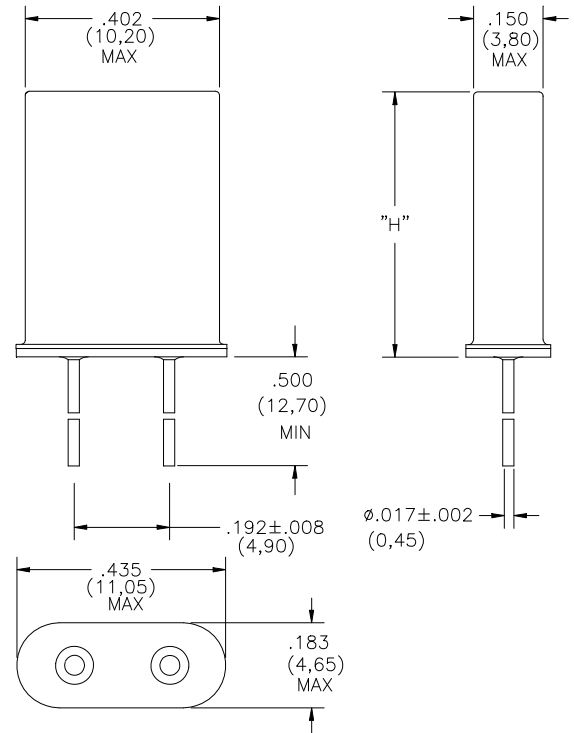
The HC-49 series of crystal resonators provides a broad range of frequencies and designs in a rugged, high reliability enclosure.

Features:

- resistance weld sealed
- available in AT, SC and IT-cut designs
- RoHS compatible (if required)

Applications:

- precision OCXO, VCXO and TCXO oscillators
- military and high reliability (multiple CR references)



PARAMETER	Height 'H'	Mode	MINIMUM	MAXIMUM	UNITS
Resonant Frequency range @ specified load conditions and temperature	0.530" (13,36 mm)	Fund	2.9	35	MHz
		3rd OT	35	105	
		5th OT	40	165	
		7th OT	80	230	
	0.455" (11.56 mm)	Fund	6	35	MHz
		3rd OT	10	105	
		5th OT	30	165	
		7th OT	80	230	
Operating Temperature Range			- 55	+ 125	° C
PARAMETER		STANDARD METHOD OBSERVED			
Shock		MIL-STD-202 Method 213, Condition C - 100 g, 6 msec 1/2 sine			
Vibration		MIL-STD-202 Method 204, Condition C, 10 g peak 55-2000 Hz			
Solderability		MIL-STD-202 Method 208			
Workmanship		per the general requirements of MIL-PRF-3098			

Notes:

- 1) Consult the factory for more detailed specifications or alternate requirements.